

Standard & Elevated Pressure, Bolted

TYPE 10/10H



- Designed to isolate the pressure measuring instrument from high temperatures, or corrosive or viscous process media
- Can be used for remote mounting of pressure instrument(s) with capillary
- Utilizes a replaceable diaphragm clamped between the flanged metal housings with an o-ring seal to create a leak-free union
- Process connection sizes from 1/4" NPT through 1-1/2" NPT
- Flushing port connection is an available option that allows the wetted areas of the seal to be cleaned, or the process vented without removing the unit from the line
- Consider instrument size, pressure range, media composition, ambient and operating temperature, and maximum working pressure when selecting
- Capillaries and cooling elements are available for elevated process temperatures, see page 24
- Fill fluid must be compatible with process media; i.e. Glycerin may become volatile in conjunction with a strong oxidizing agent such as chlorine, forms of oxygen or peroxide and nitric acids

APPLICATIONS

- Water and wastewater
- Oil and gas
- Petrochemical
- Chemical processing
- Industrial automation
- Marine
- Agriculture
- Steel fabrication
- Mud pumping
- Pulp and paper
- Pneumatic

SPECIFICATIONS

Seal type	Threaded with replaceable diaphragm. Flanged available on request.			
Instruments	Type	Size	Minimum Pressure	Maximum Pressure
	Gauges	2-1/2" to 6"	0 psig to 30 psig	0 psig to 2,000 psig (10H - 5,000 psig)
	Transducers	-	0 psig to 30 psig	0 psig to 2,000 psig (10H - 5,000 psig)
	Switches	-	0 psig to 30 psig	0 psig to 2,000 psig (10H - 5,000 psig)
Upper housing	Type	Non-continuous duty (10H continuous duty)		
	Connections	1/4" NPT, 1/2" NPT		
	Materials	Polyurethane enamel coated Steel, 316 Stainless Steel		
Diaphragm	Size	3.0" (Type 10), 2-1/2" (Type 10H)		
	Displacement	3.2 ml (Type 10), 1.4 ml (Type 10H)		
	Materials	316 Stainless Steel (Exotic materials available on request)		
O-rings	NBR, PTFE and FKM			
Lower housing	Connections	1/4" NPT, 1/2" NPT, 3/4" NPT, 1" NPT, 1-1/4" NPT, 1-1/2" NPT ASME flanges available on request		
	Materials	Polyurethane enamel coated Steel and 316 Stainless Steel (Exotic materials available on request)		
	Flushing port	Optional 1/8" NPT, 1/4" NPT and dual ports		
Bolting	Zinc-plated Steel, optional Stainless Steel			
Operating temperature	Operating temperature is determined by the temperature/pressure configuration. See the Material temperature table.			

For NOSHOK Diaphragm Seals with Carbon Steel lower housing materials:



WARNING: This product can expose you to chemicals including Lead, which is known to the State of California to cause cancer and birth defects or other reproductive harm. For more information go to www.P65Warnings.ca.gov

For NOSHOK Diaphragm Seals with Stainless Steel lower housing materials:



WARNING: This product can expose you to chemicals including Chromium (VI) and Nickel, which are known to the State of California to cause cancer and birth defects or other reproductive harm. For more information go to www.P65Warnings.ca.gov

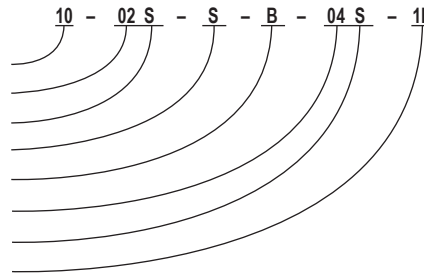
ORDERING INFORMATION				
TYPES	10 (2,000 psi)	10H (5,000 psi)		
INSTRUMENT CONNECTION SIZES	02 1/4" NPT	04 1/2" NPT		
UPPER HOUSING MATERIALS	C Carbon Steel	S 316 Stainless Steel		
DIAPHRAGM MATERIALS	A Tantalum H Hastelloy C - 276	M Monel 400 N Inconel 600	S 316 Stainless Steel ** T PTFE *, †	U Titanium Grade 4 V FKM *, ***
O-RING MATERIALS	B NBR	T PTFE ¹	V FKM	
PROCESS CONNECTION SIZES	02 1/4" NPT 04 1/2" NPT (ASME and DIN flanges available upon request)	06 3/4" NPT 08 1" NPT	10 1-1/4" NPT	12 1-1/2" NPT
LOWER HOUSING MATERIALS	C Carbon Steel H Hastelloy C-276	M Monel 400 N Inconel 600	S 316 Stainless Steel	U Titanium
FLUSHING CONNECTIONS	1F 1/8" NPT	2F 1/4" NPT		

Please consult your local NOSHOK Distributor or NOSHOK, Inc. for availability and delivery information.

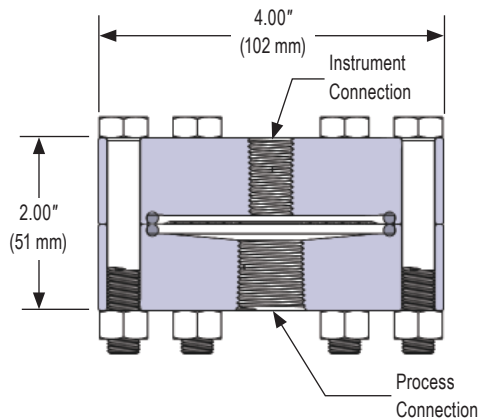
- * Not available with 10H
- ** NBR o-rings standard with 316SS diaphragm
- *** FKM o-rings standard with FKM diaphragm
- † PTFE o-rings standard with all other diaphragms

EXAMPLE

Type10
 Instrument connection size 1/4" NPT
 Upper housing material 316 Stainless Steel
 Diaphragm material 316 Stainless Steel
 O-ring material NBR
 Process connection size 1/2" NPT
 Lower housing material 316 Stainless Steel
 Flushing connection (optional) 1/8" NPT



Type 10 Standard Pressure



Type 10H Elevated Pressure

