



## PT30 SERIES



- Gauge, compound, absolute and vacuum ranges from 2 psig to 15,000 psig
- Premium accuracy
- Compact size
- Current and voltage outputs available
- 316 Stainless Steel wetted parts
- RoHS compliant
- Built to CE standards to suppress RFI, EMI and ESD
- cULus pending

### APPLICATIONS

- Hydraulics & pneumatics
- Automotive
- Pumps & compressors
- Refrigeration controls
- Mobile equipment
- General industrial

### SPECIFICATIONS

<b>Output signals</b>	4 mA to 20 mA, 2-wire; 0 Vdc – 5 Vdc, 3-wire; 1 Vdc – 5 Vdc, 3-wire; 0 Vdc to 10 Vdc, 3-wire; 0.5 – 4.5 Vdc, 3-wire; 0.5 – 4.5 Vdc ratiometric, 3-wire	
<b>Pressure ranges</b>	Gauge, compound, absolute and vacuum ranges from 2 psi to 15,000 psi	
<b>Accuracy*</b>	±0.25% of span, non-linearity best fit straight line per IEC 61298-2 at reference conditions	
<b>Response time</b>	< 1 ms	
<b>Service life</b>	> 10 million load cycles	
<b>Temperature ranges*</b>	Compensated :	-4 °F to 185 °F (-20 °C to 85 °C)
	Media:	-22 °F to 221 °F (-30 °C to 105 °C)
	Ambient:	-4 °F to 185 °F (-20 °C to 85 °C)
	Storage:	-40 °F to 257 °F (-40 °C to 125 °C)
<b>Power requirement*</b>	12 Vdc to 36 Vdc:	4 mA to 20 mA, 2-wire 0 Vdc to 5 Vdc, 3-wire 1 Vdc to 5 Vdc, 3-wire 0 Vdc to 10 Vdc, 3-wire 0.5 to 4.5 Vdc non-ratiometric, 3-wire
	4.5 Vdc to 5.5 Vdc:	0.5 to 4.5 Vdc ratiometric, 3-wire
<b>Proof pressure</b>	< 7500 psi:	2 times full scale
	7500 – 10,000 psi:	1.5 times full scale
	> 10,000 psi:	1.2 times full scale
<b>Burst pressure</b>	< 7,500 psi:	3 times full scale
	7,500 – 10,000 psi:	2 times full scale
	> 10,000 psi:	1.5 times full scale
<b>Measuring element</b>	316 Stainless Steel	
<b>Process connection</b>	316 Stainless Steel	
<b>Electrical connection</b>	Stainless Steel and Glass Filled PA	
<b>Housing material</b>	304 Stainless Steel	
<b>Environmental rating</b>	IP65: DIN EN 175301-803 Form A, DIN EN 175301-803 Form C IP67: 4-pin Bayonet, 6-pin Bayonet, Packard, M12 x 1 (4-pin), Deutsch IP68: Integral cable (gauge reference devices < 400 psi are IP67)	
<b>Electromagnetic rating</b>	Immunity per IEC 61000-6-2 Radiation per IEC 61000-6-3	
<b>Electrical protection</b>	Reverse polarity and short circuit protection	
<b>Shock</b>	200 g's according to IEC 60068-2-27	
<b>Vibration</b>	20 g's according to IEC 60068-2-6	
<b>Weight</b>	Approximately 4.5 oz.	

\* See user manual for detailed specifications

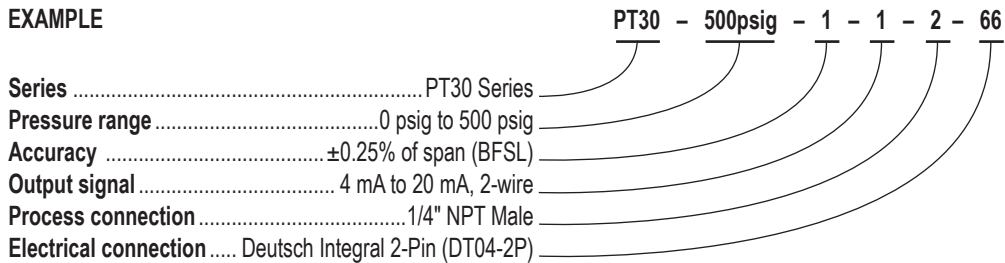


**WARNING:** This product can expose you to chemicals including Nickel, which is known to the State of California to cause cancer and birth defects or other reproductive harm. For more information go to [www.P65Warnings.ca.gov](http://www.P65Warnings.ca.gov)

ORDERING INFORMATION								
SERIES	PT30							
PRESSURE RANGES	<b>15psiv</b>	-15 psig to 0 psig	<b>15psig</b>	0 psig to 15 psig	<b>1000psig</b>	0 psig to 1,000 psig	<b>15psia</b>	0 psia to 15 psia
	<b>15psic</b>	-15 psig to 15 psig	<b>30psig</b>	0 psig to 30 psig	<b>1500psig</b>	0 psig to 1,500 psig	<b>30psia</b>	0 psia to 30 psia
	<b>30psic</b>	-15 psig to 30 psig	<b>60psig</b>	0 psig to 60 psig	<b>2000psig</b>	0 psig to 2,000 psig	<b>60psia</b>	0 psia to 60 psia
	<b>60psic</b>	-15 psig to 60 psig	<b>100psig</b>	0 psig to 100 psig	<b>3000psig</b>	0 psig to 3,000 psig	<b>100psia</b>	0 psia to 100 psia
	<b>100psic</b>	-15 psig to 100 psig	<b>150psig</b>	0 psig to 150 psig	<b>4000psig</b>	0 psig to 4,000 psig	<b>150psia</b>	0 psia to 150 psia
	<b>200psic</b>	-15 psig to 200 psig	<b>200psig</b>	0 psig to 200 psig	<b>5000psig</b>	0 psig to 5,000 psig	<b>200psia</b>	0 psia to 200 psia
	<b>300psic</b>	-15 psig to 300 psig	<b>300psig</b>	0 psig to 300 psig	<b>6000psig</b>	0 psig to 6,000 psig	<b>300psia</b>	0 psia to 300 psia
	<b>2psig</b>	0 psig to 2 psig	<b>500psig</b>	0 psig to 500 psig	<b>7500psig</b>	0 psig to 7,500 psig		
	<b>5psig</b>	0 psig to 5 psig	<b>600psig</b>	0 psig to 600 psig	<b>10000psig</b>	0 psig to 10,000 psig		
	<b>10psig</b>	0 psig to 10 psig	<b>750psig</b>	0 psig to 750 psig	<b>15000psig</b>	0 psig to 15,000 psig		
psiv = vacuum gauge pressure    psic = compound gauge pressure    psig = gauge pressure    psia = absolute pressure    Other ranges available upon request.								
ACCURACY	1 ±0.25% (of span, non-linearity, BFSL per IEC 61298-2 at reference conditions)							
OUTPUT SIGNALS	1	4 mA to 20 mA, 2-wire	3	1 Vdc to 5 Vdc, 3-wire	13	0.5 Vdc to 4.5 Vdc, 3-wire (ratiometric)		
	2	0 Vdc to 5 Vdc, 3-wire	5	0 Vdc to 10 Vdc, 3-wire	31	0.5 Vdc to 4.5 Vdc, 3-wire (non-ratiometric)		
PROCESS CONNECTIONS	1	1/8" NPT male	24	7/16-20 Female Schrader	72	9/16-18 Male SAE -6 (J1926-2)		
	2	1/4" NPT male	46	G 1/4 A Male ISO 1179-2				
	8	1/2" NPT male	50	7/16-20 Male SAE -4 (J1926-2)				
ELECTRICAL CONNECTIONS	2	4-pin Bayonet	17	DIN EN 175301-803 Form C w/ 3 ft. cable	46	Deutsch Integral 3-Pin (DT04-3P)		
	3	6-pin Bayonet	18	DIN EN 175301-803 Form A w/ 3 ft. cable	66	Deutsch Integral 2-Pin (DT04-2P)		
	7	DIN EN 175301-803 Form C	21	Deutsch Integral 4-Pin (DT04-4P)	70	DIN EN 175301-803 Form C w/o mating connector		
	8	DIN EN 175301-803 Form A	25	M12 x 1 (4-pin)	80	DIN EN 175301-803 Form A w/o mating connector		
	14	DIN EN 175301-803 Form A w/ 1/2" NPT female conduit	34	Packard 3-Pin				
			36	3 ft. Integral cable				
OPTION	ST8 Threaded Orifice (0.8 mm)							

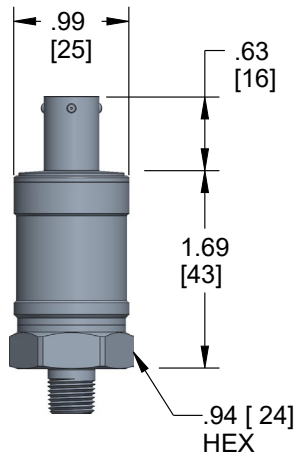
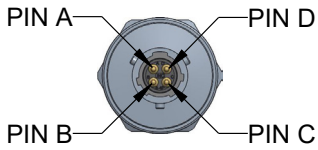
Please consult your local NOSHOK Distributor or NOSHOK, Inc. for availability and delivery information.

**EXAMPLE**

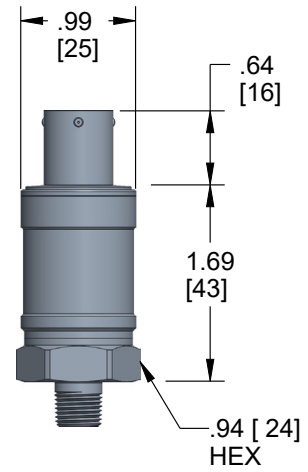
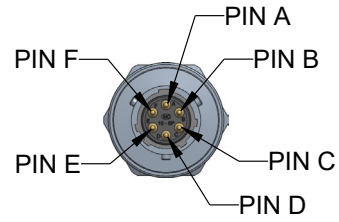


# Dimensions

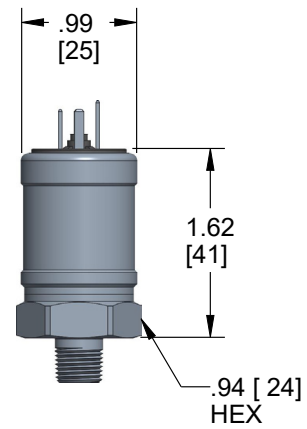
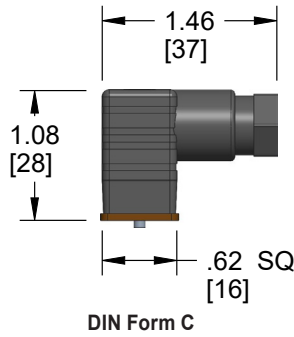
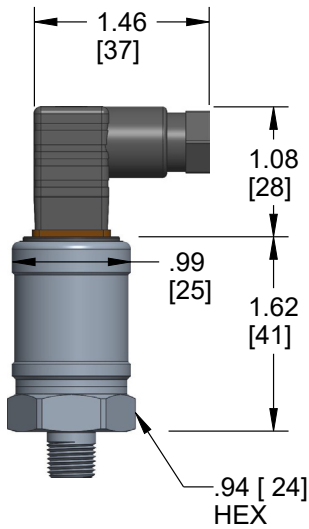
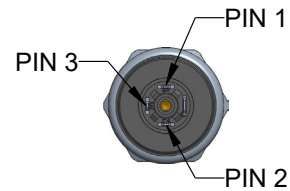
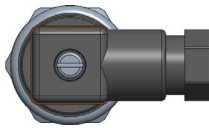
PT30-2 (4-Pin Bayonet)



PT30-3 (6-Pin Bayonet)



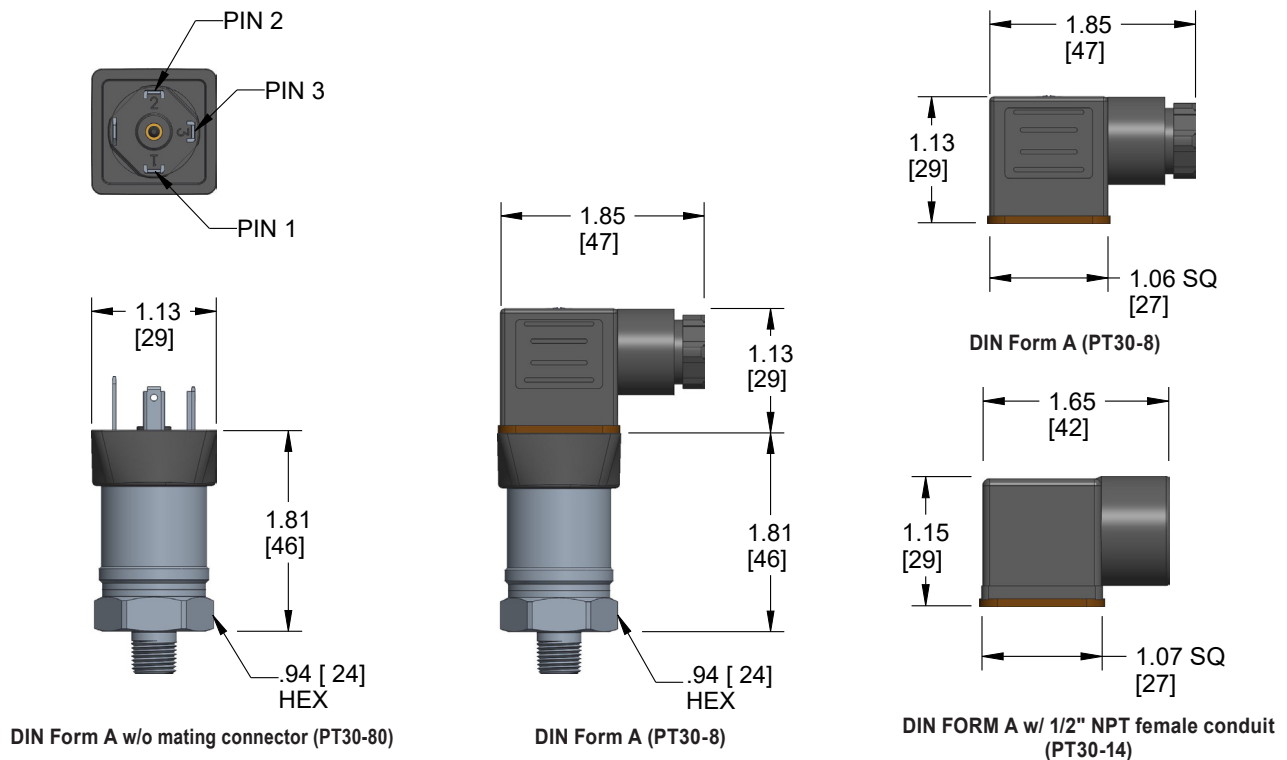
PT30 (DIN EN 175301-803 Form C)



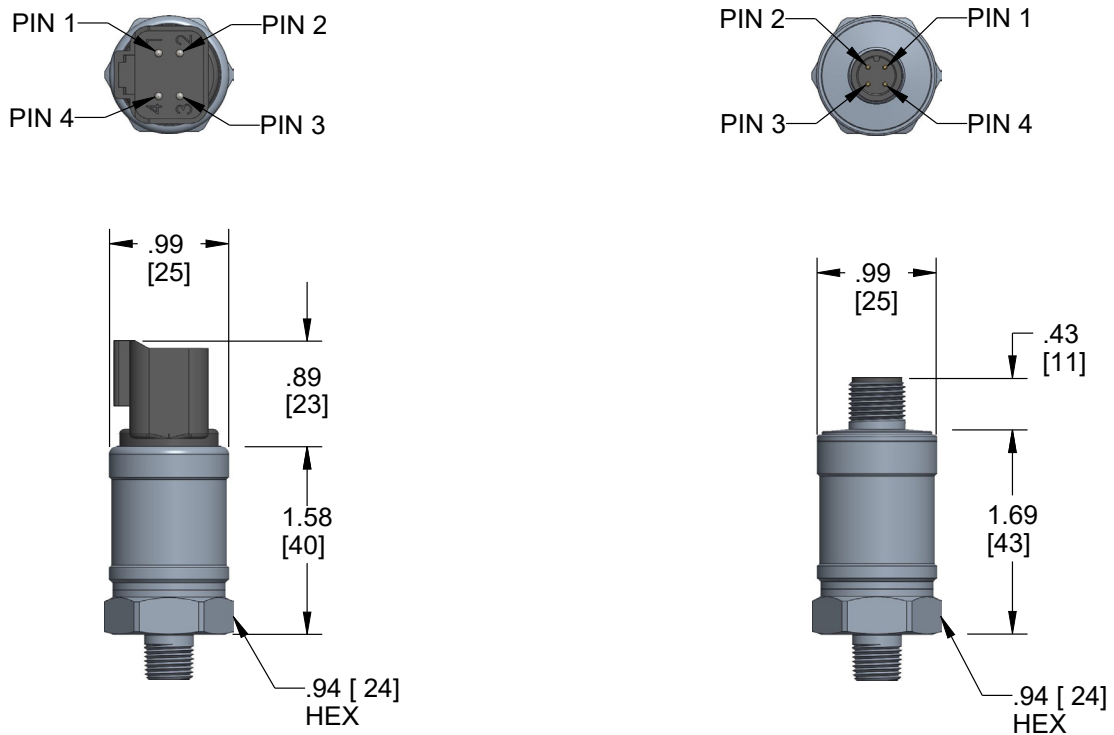
DIN Form C (PT30-7)

DIN Form C w/o mating connector (PT30-70)

**PT30 (DIN EN 175301-803 Form A)**

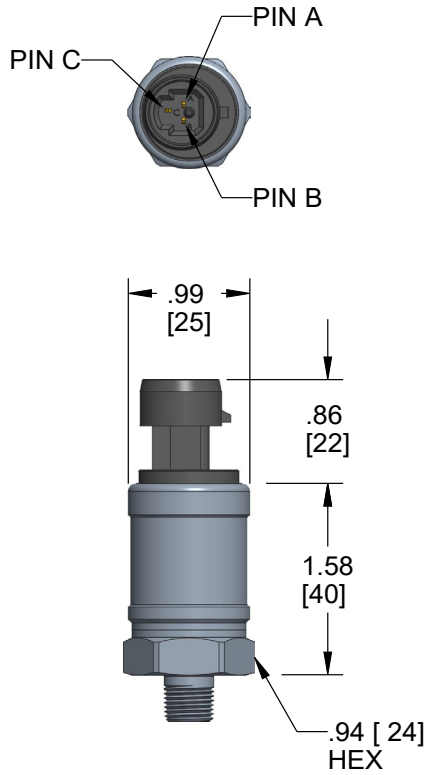


**PT30-21 (Deutsch Integral 4-Pin DT04-4P)      PT30-25 (M12 x 1 4-pin)**

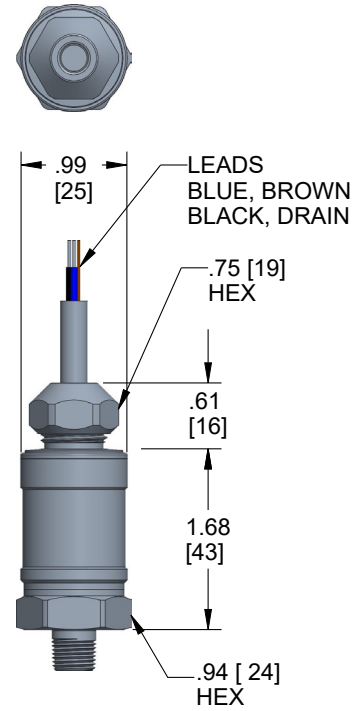


# Dimensions

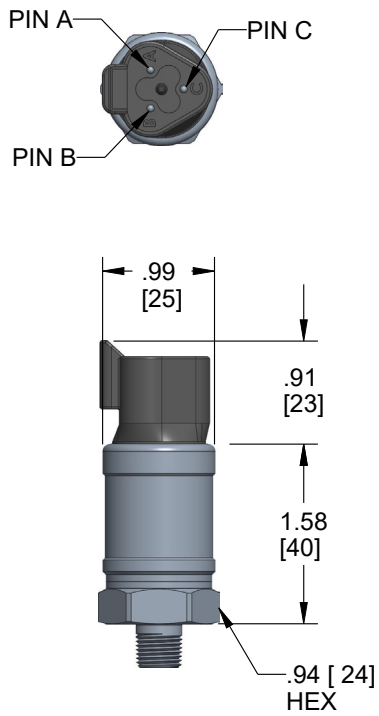
PT30-34 (Packard 3-Pin)



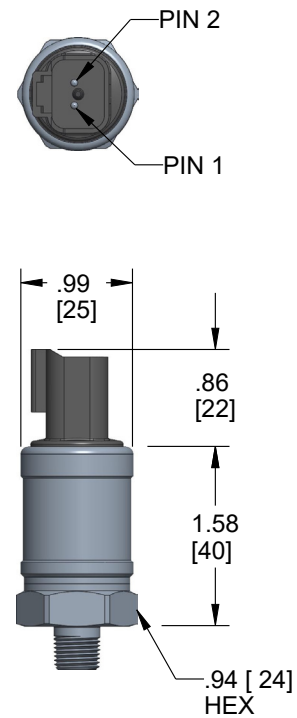
PT30-36 (3 ft. Integral Cable)



PT30-46 (Deutsch Integral 3-Pin DT04-3P)



PT30-66 (Deutsch Integral 2-Pin DT04-2P)



PT30 Process Connections

