



## PT20 SERIES

- Gauge, compound, absolute and vacuum ranges from 1 psig to 10,000 psig
- Current and voltage outputs available
- 316 and 13-8PH Stainless Steel wetted parts
- RoHS compliant
- CE compliant to suppress RFI, EMI and ESD
- cULus compliant

### APPLICATIONS

- HVAC
- Hydraulics & pneumatics
- General industrial
- Automation

### SPECIFICATIONS

<b>Output signals</b>	4 mA to 20 mA, 2-wire; 0 Vdc to 5 Vdc, 3-wire; 1 Vdc to 5 Vdc, 3-wire; 0 Vdc to 10 Vdc, 3-wire; 0.5 to 4.5 Vdc, 3-wire; 0.5 to 4.5 Vdc ratiometric, 3-wire	
<b>Pressure ranges</b>	Gauge, compound, absolute and vacuum ranges from 1 psi to 10,000 psi	
<b>Accuracy*</b>	±0.50% of span, non-linearity best fit straight line per IEC 61298-2 at reference conditions	
<b>Response time</b>	≤ 4 ms (between 10% and 90% full scale)	
<b>Service life</b>	> 100 million load cycles	
<b>Temperature ranges*</b>	Compensated:	32 °F to 176 °F (0 °C to 80 °C)
	Media:	32 °F to 176 °F (0 °C to 80 °C)
	Ambient:	32 °F to 176 °F (0 °C to 80 °C)
	Storage:	-40 °F to 158 °F (-40 °C to 70 °C)
<b>Power requirement*</b>	8 Vdc to 30 Vdc:	4 mA to 20 mA, 2-wire 0 Vdc to 5 Vdc, 3-wire 1 Vdc to 5 Vdc, 3-wire 0.5 Vdc to 4.5 Vdc, 3-wire
	14 Vdc to 30 Vdc:	0 Vdc to 10 Vdc, 3-wire
	4.5 Vdc to 5.5 Vdc:	0.5 Vdc to 4.5 Vdc ratiometric, 3-wire
<b>Proof pressure</b>	< 7,500 psi:	2 times full scale
	≥ 7,500 psi:	1.5 times full scale
<b>Burst pressure</b>	< 7,500 psi:	3 times full scale
	≥ 7,500 psi:	2 times full scale
<b>Measuring element</b>	316 Stainless Steel:	Vacuum to 150 psi
	13-8PH Stainless Steel:	≥ 150 psi
<b>Process connection</b>	316 Stainless Steel	
<b>Electrical connection</b>	PA and PBT	
<b>Housing material</b>	316 Stainless Steel	
<b>Environmental rating</b>	IP65: DIN EN 175301-803 Form A, DIN EN 175301-803 Form C IP67: M12 x 1 (4-pin)	
<b>Electromagnetic rating</b>	CE compliant to EMC norm EN 61326:2014/A1:1998 RFI, EMI and ESD protection	
<b>Electrical protection</b>	Reverse polarity, over-voltage and short circuit protection	
<b>Shock</b>	500 g's according to IEC 60068-2-27	
<b>Vibration</b>	10 g's according to IEC 60068-2-6	
<b>Weight</b>	Approximately 2.8 oz.	

\* See user manual for detailed specifications

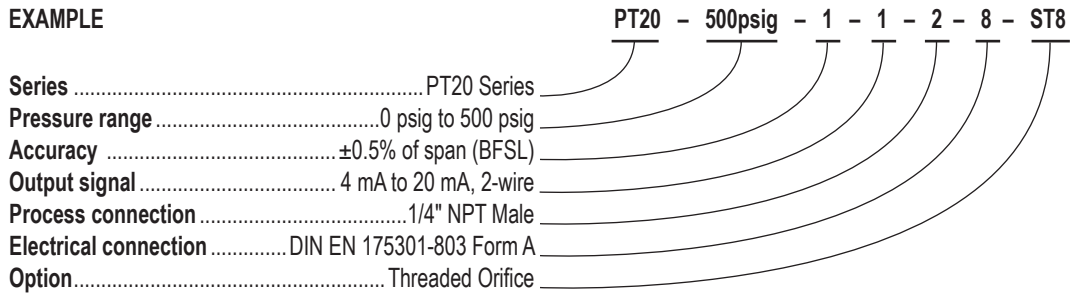


**WARNING:** This product can expose you to chemicals including Nickel, which is known to the State of California to cause cancer and birth defects or other reproductive harm. For more information go to [www.P65Warnings.ca.gov](http://www.P65Warnings.ca.gov)

ORDERING INFORMATION								
SERIES	PT20							
PRESSURE RANGES	15psiv	-15 psig to 0 psig	15psig	0 psig to 15 psig	1000psig	0 psig to 1,000 psig	30psia	0 psia to 30 psia
	15psic	-15 psig to 15 psig	30psig	0 psig to 30 psig	1500psig	0 psig to 1,500 psig	60psia	0 psia to 60 psia
	30psic	-15 psig to 30 psig	60psig	0 psig to 60 psig	2000psig	0 psig to 2,000 psig	100psia	0 psia to 100 psia
	60 psic	-15 psig to 60 psig	100psig	0 psig to 100 psig	3000psig	0 psig to 3,000 psig	150psia	0 psia to 150 psia
	100psic	-15 psig to 100 psig	150psig	0 psig to 150 psig	5000psig	0 psig to 5,000 psig	200psia	0 psia to 200 psia
	200psic	-15 psig to 200 psig	200psig	0 psig to 200 psig	6000psig	0 psig to 6,000 psig	300psia	0 psia to 300 psia
	300psic	-15 psig to 300 psig	300psig	0 psig to 300 psig	7500psig	0 psig to 7,500 psig		
	1psig	0 psig to 1 psig	500psig	0 psig to 500 psig	10000psig	0 psig to 10,000 psig		
	5psig	0 psig to 5 psig	750psig	0 psig to 750 psig	15psia	0 psia to 15 psia		
psiv = vacuum gauge pressure    psic = compound gauge pressure    psig = gauge pressure    psia = absolute pressure    Other ranges available upon request.								
ACCURACY	1 ±0.50% (of span, non-linearity, BFSL per IEC 61298-2 at reference conditions)							
OUTPUT SIGNALS	1	4 mA to 20 mA, 2-wire	5	0 Vdc to 10 Vdc, 3-wire				
	2	0 Vdc to 5 Vdc, 3-wire	13	0.5 Vdc to 4.5 Vdc, 3-wire (ratiometric)				
	3	1 Vdc to 5 Vdc, 3-wire	31	0.5 Vdc to 4.5 Vdc, 3-wire (non-ratiometric)				
PROCESS CONNECTIONS	2	1/4" NPT male	10	G 1/4 B EN 837			83	G 1/2 B EN 837
	8	1/2" NPT male	45	7/16-20 SAE J514 FIG 34B (Non-Adjustable)				
ELECTRICAL CONNECTIONS	7	DIN EN 175301-803 Form C	17	DIN EN 175301-803 Form C w/ 3 ft. cable				
	8	DIN EN 175301-803 Form A	18	DIN EN 175301-803 Form A w/ 3 ft. cable				
	14	DIN EN 175301-803 Form A w/ 1/2" NPT female conduit	25	M12 x 1 (4-pin)				
OPTION	ST8 Threaded Orifice (0.8 mm)							

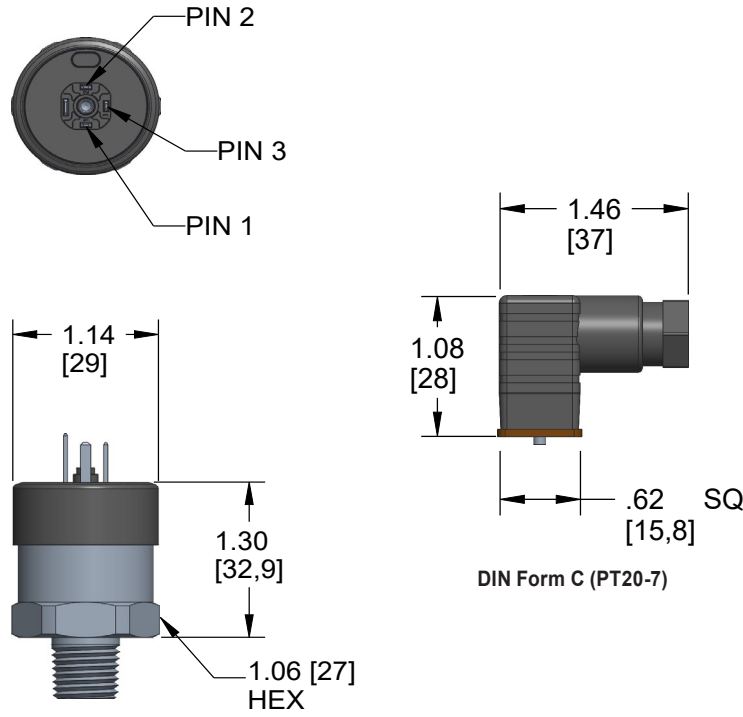
Please consult your local NOSHOK Distributor or NOSHOK, Inc. for availability and delivery information.

**EXAMPLE**

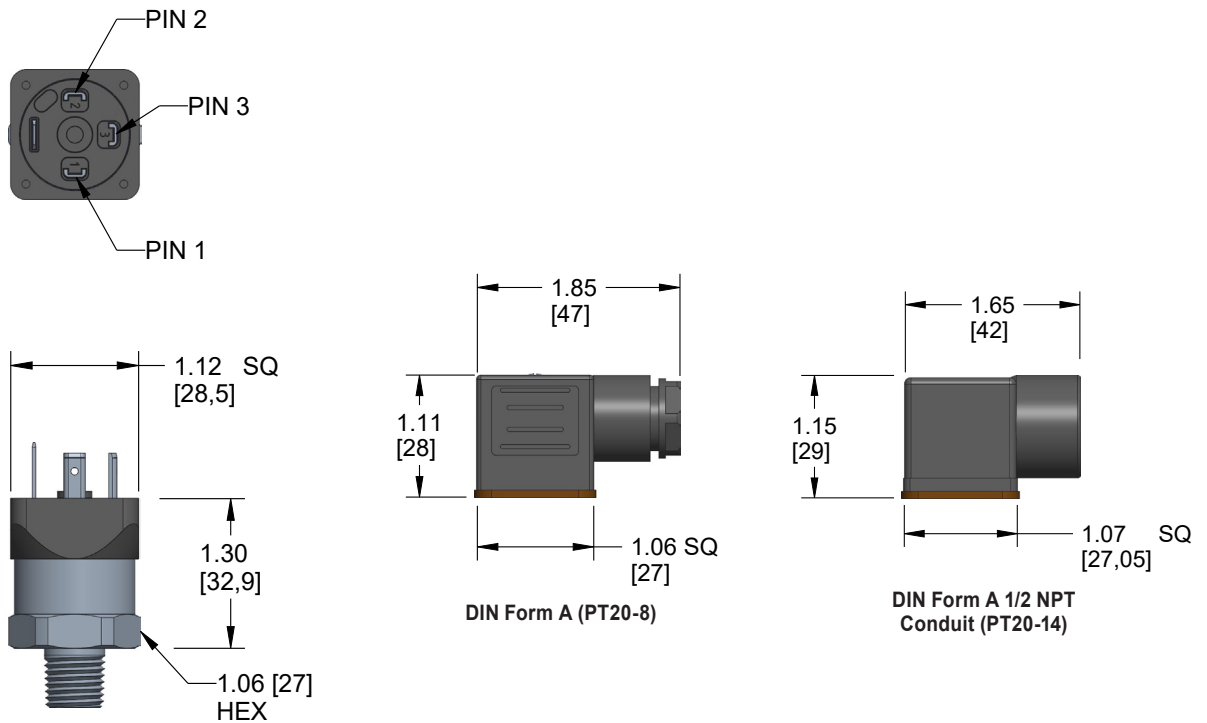


# Dimensions

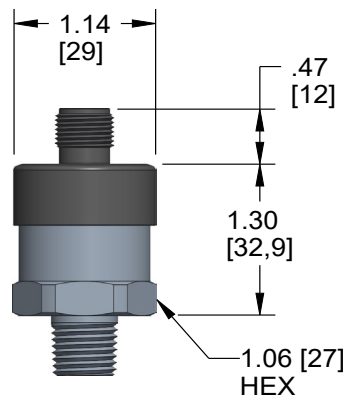
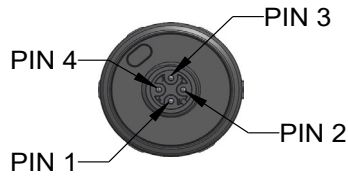
**PT20 (DIN EN 175301-803 Form C)**



**PT20 (DIN EN 175301-803 Form A)**



**PT20-25 (M12 x 1 4-pin)**



**PT20 Process Connections**

