

# Air-Guard Bronze Filter 20 SCFM



## 9313 SERIES

- Provides clean, dry and oil-free compressed air
- Long life cartridges reduce filter maintenance
- Rugged bronze construction for marine applications
- Air-conserving automatic, sump discharges only when needed

### SPECIFICATIONS

Maximum pressure	150 psi
Rated flow	20 scfm @ 100 psig
Connections	1/2" NPT
Filter type	Dual cartridge coalescing elements
Housing	Bronze
Efficiency	99.98% of 0.1 micron or greater
Weight	15.0 lb/7 kg

### APPLICATIONS

- Tank level and draft indicating systems for the marine and offshore industries
- Marine
  - Tank level, draft monitoring and vessel management
  - Ballast water
  - Fuel oil
  - Fresh water
  - Lube oil
  - Brine
  - Preload
  - Holding



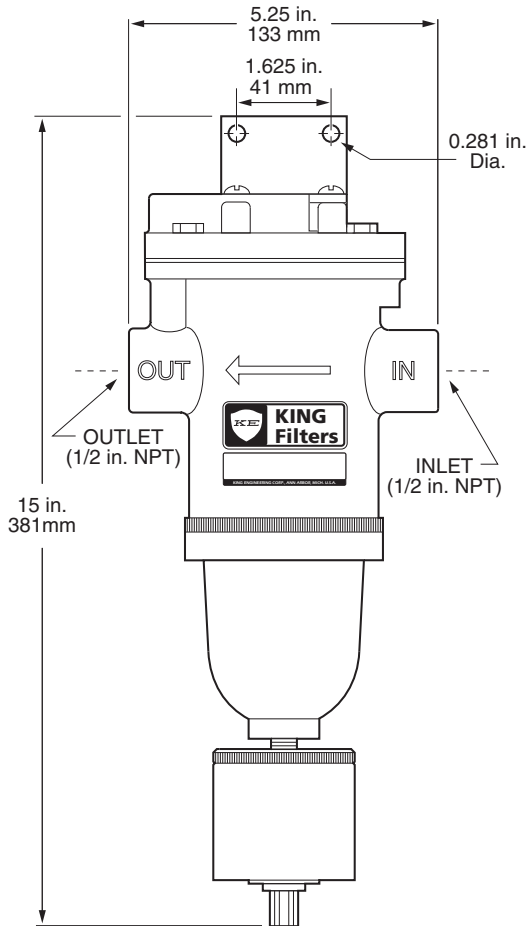
ORDERING INFORMATION		
<b>SERIES</b>	9313 Air-Guard Bronze Filter 20 SCFM	
<b>DRAIN TYPES</b>	24 With manual drain	24T With auto drain
<b>EFFICIENCY</b>	1-1 98% @ 2.0 micron	6-5 99.998% @ 0.1 micron

NOTE: Includes Type 750/800 cartridge set.

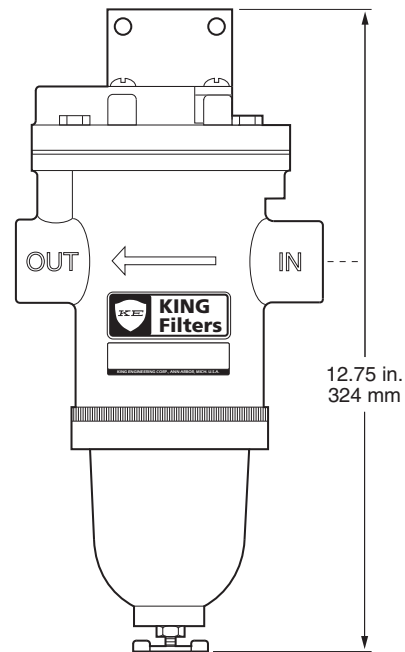
### EXAMPLE

Series .....9313 Series  
 Drain type ..... With auto drain  
 Efficiency ..... 98% @ 2.0 micron

**9313 - 24T - 1-1**



**Air-Guard Filter  
with Automatic Drain  
Model 9313-24T**



**Air-Guard Filter  
with Manual Petcock Drain  
Model 9313-24**

Replacement Cartridge Sets
A22-11-6-5 - Type 750/800 (0.1 micron)
A22-11-1-1 - Type 300/300 (2.0 micron)