

## Block &amp; Bleed, Soft Seat

## 700 SERIES



- Block & bleed design allows pressure to be bled off without disturbing the permanent piping installation, allowing quick and easy removal or replacement of instruments
- 100% helium leak tested to  $1 \times 10^{-4}$  ml/s for performance and reliability
- Replaceable Delrin® seat and straight through porting for bidirectional, high capacity flow and easy roddable cleaning
- PCTFE or PEEK soft seat optional
- Blow-out proof stem provides a secondary stem seal in the full open position
- FKM o-ring seal and PTFE back-up ring below the stem threads to protect from corrosion and galling; PTFE packing optional
- All stem threads are rolled for strength and ease of operation
- One-piece bonnet with a metal-to-metal seal to the valve body below the bonnet threads
- Slotted spring pin to prevent accidental loosening
- Vinyl dust cap for bonnet and stem (non-packing)
- 0.090" bleed hole located on the bottom is controlled by a 1/4"-20 UNF-2A bleed screw

## SPECIFICATIONS

<b>Materials</b>	Zinc-Nickel plated Steel, electropolished 316 Stainless Steel*
<b>Connections</b>	1/4" & 1/2" NPT Male-female & Female-female configurations
<b>Pressure rating</b>	6,000 psi @ 200 °F
<b>Orifice size</b>	0.187"
<b>Flow coefficient</b>	$C_v$ 0.76
<b>Stem seal &amp; type</b>	All 316 Stainless Steel stems with FKM o-ring and PTFE back-up ring below the threads, PTFE packing optional
<b>Options</b>	Panel mountings, o-ring materials, handles, packings, regulating stem and stem tips
<b>Weight</b>	Approximately 1.3 lb. up to 1/2" Approximately 4.5 lb. Large Hex, Female-Female Approximately 6 lb. Large Hex, Male-Female

\* All 316SS products meet the requirements of NACE MR0175/ISO 15156-3.

For NOSHOK Valves with Steel valve types:



**WARNING:** This product can expose you to chemicals including Lead, which is known to the State of California to cause cancer and birth defects or other reproductive harm. For more information go to [www.P65Warnings.ca.gov](http://www.P65Warnings.ca.gov)

For NOSHOK Valves with Stainless Steel valve types:



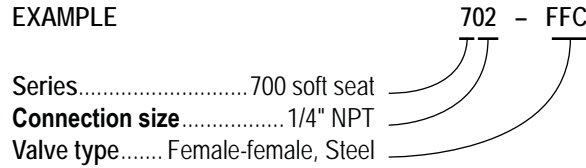
**WARNING:** This product can expose you to chemicals including Chromium (VI) and Nickel, which are known to the State of California to cause cancer and birth defects or other reproductive harm. For more information go to [www.P65Warnings.ca.gov](http://www.P65Warnings.ca.gov)

NOTE: All NOSHOK valve products conform to the MSS SP-99 instrument valves standards, and valves supplied with packing also conform to MSS SP-132 compression packing systems for instrument valves standard.

SERIES	7 700 Series, soft seat	
CONNECTION SIZES	02 1/4" NPT	04 1/2" NPT
VALVE TYPES	MFC Male-Female, Steel	MFS Male-Female, Stainless Steel
	FFC Female-Female, Steel	FFS Female-Female, Stainless Steel

Please consult your local NOSHOK Distributor or NOSHOK, Inc. for availability and delivery information.

**EXAMPLE**



To meet all of your specific application requirements, the following **additional options** are available for these needle valves. To order all or any of these options, simply add them to the part number as shown in the diagram below.

**NOTE 1:** The example shown includes **ALL** possible additional options. Please include **ONLY** the options required for your application when **building your part number. (EXAMPLE: 702-FFC-HL5)**

**NOTE 2:** When a packing option is selected, an o-ring option is **NOT** available.

ORDERING INFORMATION - ADDITIONAL OPTIONS			
SOFT SEATS	PK1 PEEK	KF1 PCTFE	
PACKING†	P1 PTFE		
STEM TIP	T1 Non-rotating (316 Stainless)		
O-RINGS*	EM1 EPDM	KZ1 FFKM (Kalrez® 3018 or equivalent)	NB1 NBR
PANEL MOUNTINGS	PM1 Panel mount (1 nut)	PM2 Panel mount (2 nuts)	
HANDLES	HL4 1-3/8" Phenolic	HL5 1-3/4" Phenolic	

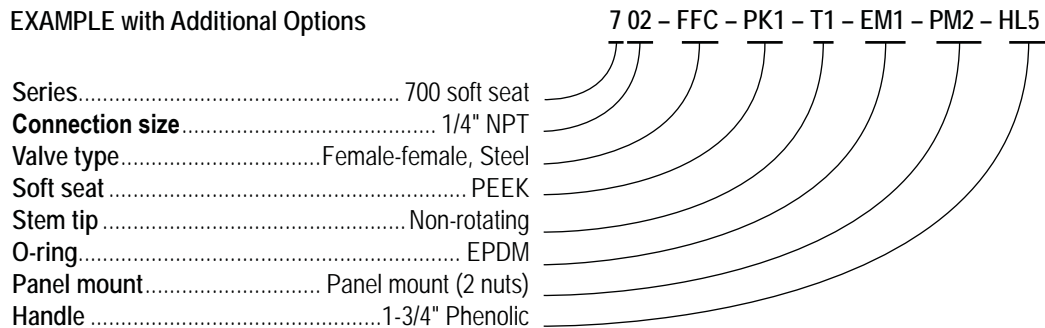
Please consult your local NOSHOK Distributor or NOSHOK, Inc. for availability and delivery information.

\* Other o-ring materials available on request.

Please note that the standard o-ring in all the NOSHOK valves is FKM and the standard handles are "T" handles (HL2).

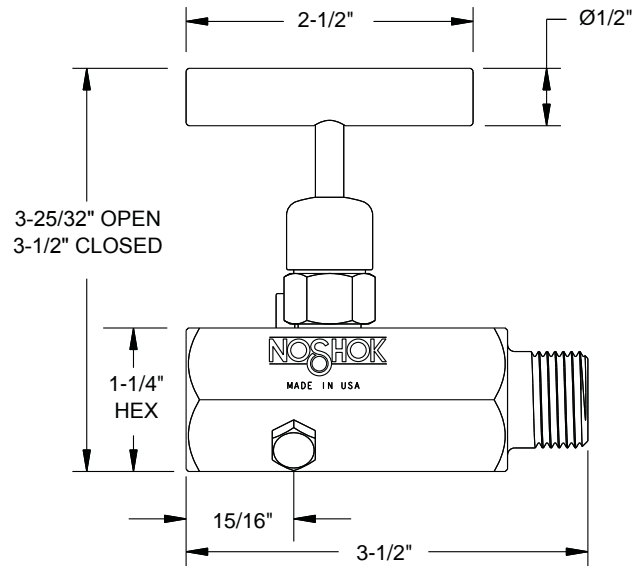
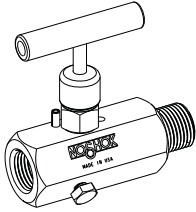
The handle material will always match the material of the valve, unless otherwise specified. For example, the "T" handle (HL2) on the 702-FFC will be Steel. When only the standard configuration is needed, no additional designations are necessary. Please consult the factory for special application requests.

**EXAMPLE with Additional Options**

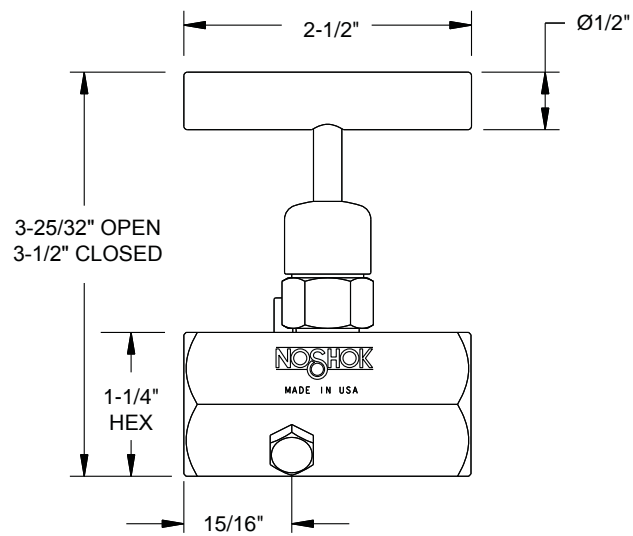
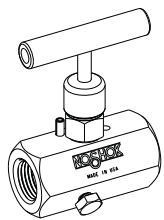


# Dimensions

## Male-Female

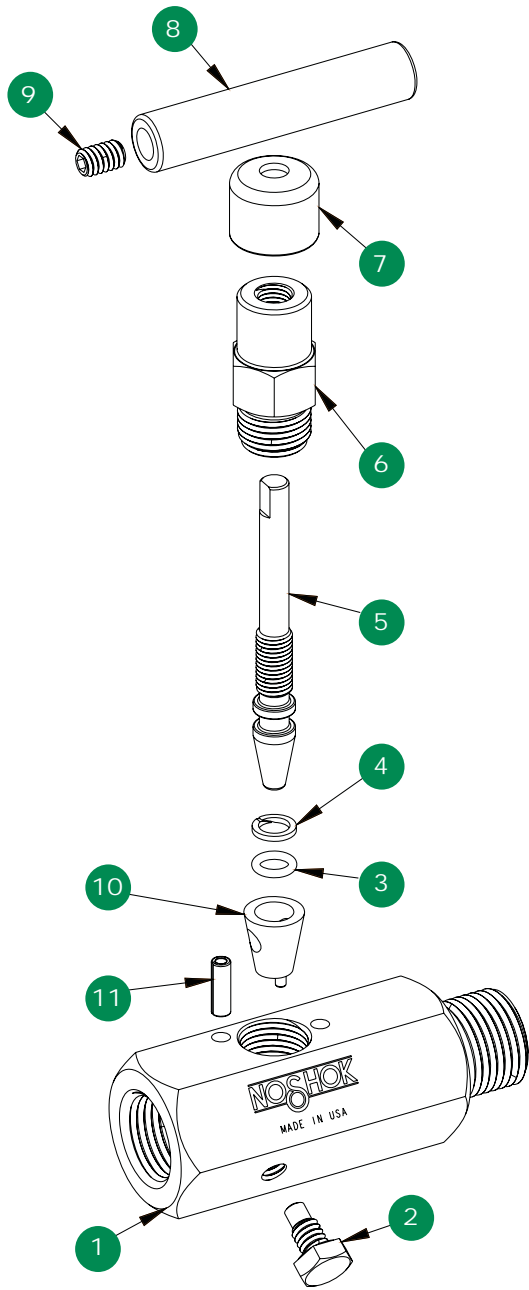


## Female-Female

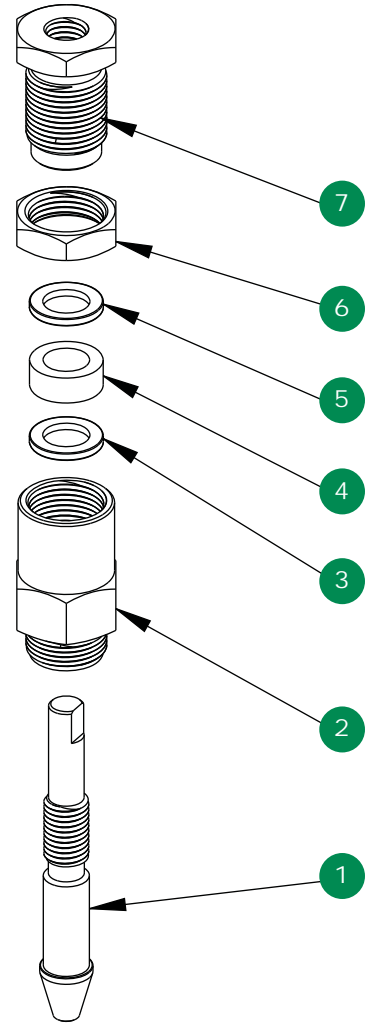


For panel mount, packing,  
& stem tip dimensions,  
see pgs. 64-67.

**Block & Bleed, Soft Seat      Option With Packing**



- 1 Valve body
- 2 Bleed screw
- 3 FKM o-ring
- 4 PTFE back-up ring
- 5 Valve stem
- 6 Valve bonnet
- 7 Dust cap
- 8 Valve "T" handle
- 9 Set screw
- 10 Delrin® seat
- 11 Slotted spring pin



- 1 Valve packing stem
- 2 Valve packing bonnet
- 3 Packing washer
- 4 Packing
- 5 Packing washer
- 6 Jam nut
- 7 Packing adjustment screw